



VEGA 285-PM

Servo Driven Pouch Maker



VALUE FOR TRUST

VEGA 285-PM

Servo Driven Pouch Maker

Vega 285-PM is specially designed to make three side seal, zipper and self gusseted stand-up pouches in single lane from laminates of PET / BOPP / Alu. Foil, etc. At 100 cycles/minute mechanical speed, it is simple yet fast entry level machine for converters with medium scale manufacturing requirement.

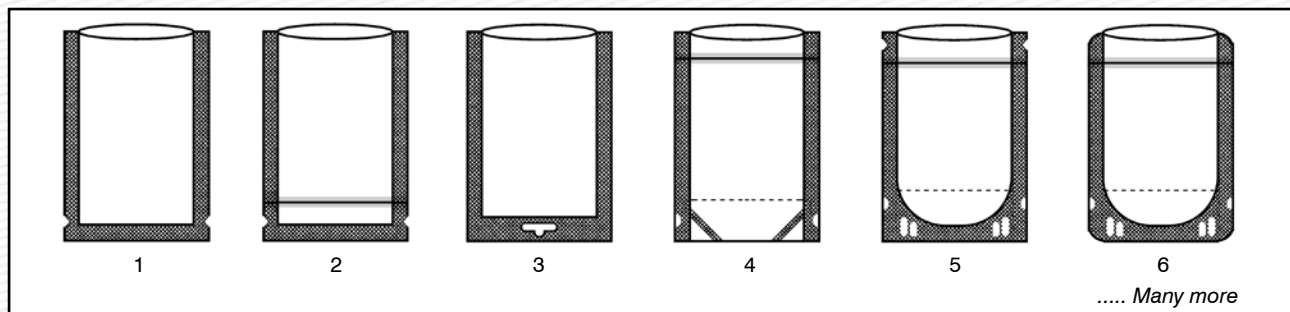
Specifications :

Type of Polymers	Laminates of PET / BOPP / Alu. Foil, etc.	
Unwind Nip	PMDC + Thy. Drive	
Film Index / Film Draw	AC Servo Motor + Drive	
Tail Feed Nip	AC Servo Motor + Drive	
Main Drive	AC Frequency Variable Drive	
Thickness of the Films (microns)	Maximum	Minimum
	150	50
Processing Data (mm)	Maximum	Minimum
	Film Roll Diameter	500
Web Width	670	200
Pouch Width (Draw Length)	225	75
Pouch Height	285	100
Gusset Depth	50	30
Maximum Speed** (Cycles / Minute)	100**	
Limiting Line Speed (Meters / min.)	20	
Electrical Power	AC 3 Phase 220/240/380/415/480 ± 6% Volt, 50/60 Hz	
Total Connected Load (KW)	11	
Air Consumption @ NTP (Ltr./minute)	600	
Foot Print (L x W x H) (mm)	(Basic Machine)	(with Zipper Attachment)
	6000 x 2000 x 1600	6000 x 2000 x 2100
Machine Weight	~3.5 MT ##	

** Depending on Pouch type, Material, Thickness, & Draw-length ## The Machine weight given is indicative only.

Attachments :

- Extra Set of Sealers
- "V" Notch Punch
- Round Hole Punch
- Hanger Hole (Euro Hole) Punch
- Rounded Corner Punch
- Flange Zip Insertion & Sealing (from Box or Reel)
- Open Zipper Capability
- Self Gusseted Stand-up Pouch
- Air Shaft
- Edge Guide
- Edge Trimming
- Longer Stacking Conveyor
- Customer's Special Requirements



Photographs may show attachments or accessories, which may not be part of the standard scope of supply.
The company reserves the right to modify, alter, change or substitute any feature & specifications which are subject to change without notice.

India Office & Works :

M **MAMATA**
MACHINERY
VALUE FOR TRUST

Survey No. 423/P, Sarkhej - Bavla Highway, Moraiya,
Tal.: Sanand, Dist.: Ahmedabad - 382 213, INDIA.
Phone: +91 2717 300700 • E-mail : sales@mamata.com
Website : www.mamata.com



USA Office :

M **MAMATA**
ENTERPRISES, INC.

2275, Cornell Ave., Montgomery, IL-60538, USA.
Phone : +1 630 801 2320 • Fax : +1 630 801 2322
E-mail : info@mamatausa.com
Website : www.mamatausa.com